

# DATA SHEET SWING VOLA 2

Text for invitation to tender | Item No: 51 2023 402

## MATERIALS | SCOPE OF SUPPLY

Swing, final installation on location, fixation of the chains necessary

Tubular frame:	stainless steel, V2A
Swing seat:	EPDM caoutchouc with steel inlay, 2 pieces
Chains:	stainless steel, 1,50 m, 4 pieces
Foundation plates:	Steel, coated

## TECHNICAL INFORMATION

Dimensions:

Main dimension:	3090 x 1650 mm
Height:	2270 mm
Weight:	173 kg
Capacity:	acc. to normative requirements
Dimension largest piece:	2440 x 1610 x 2720 mm
Heaviest piece:	80 kg

Max. fall height: 1200 mm

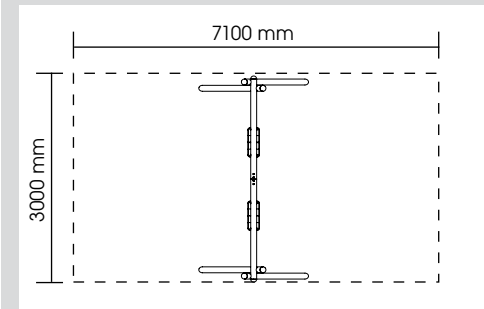
Impact protection

Impact area: 21,30 m<sup>2</sup>

Required safety slabs: 19,50 m<sup>2</sup>

Required lawn grating: 21,00 m<sup>2</sup>

Recommended surface material: sand, wood chip, gravel, synth. impact protection



## INSTALLATION

Foundations: 4

Modified installation depth possible (special edition)

Installation according to our detailed mounting instructions, see [www.stilum.com](http://www.stilum.com)

